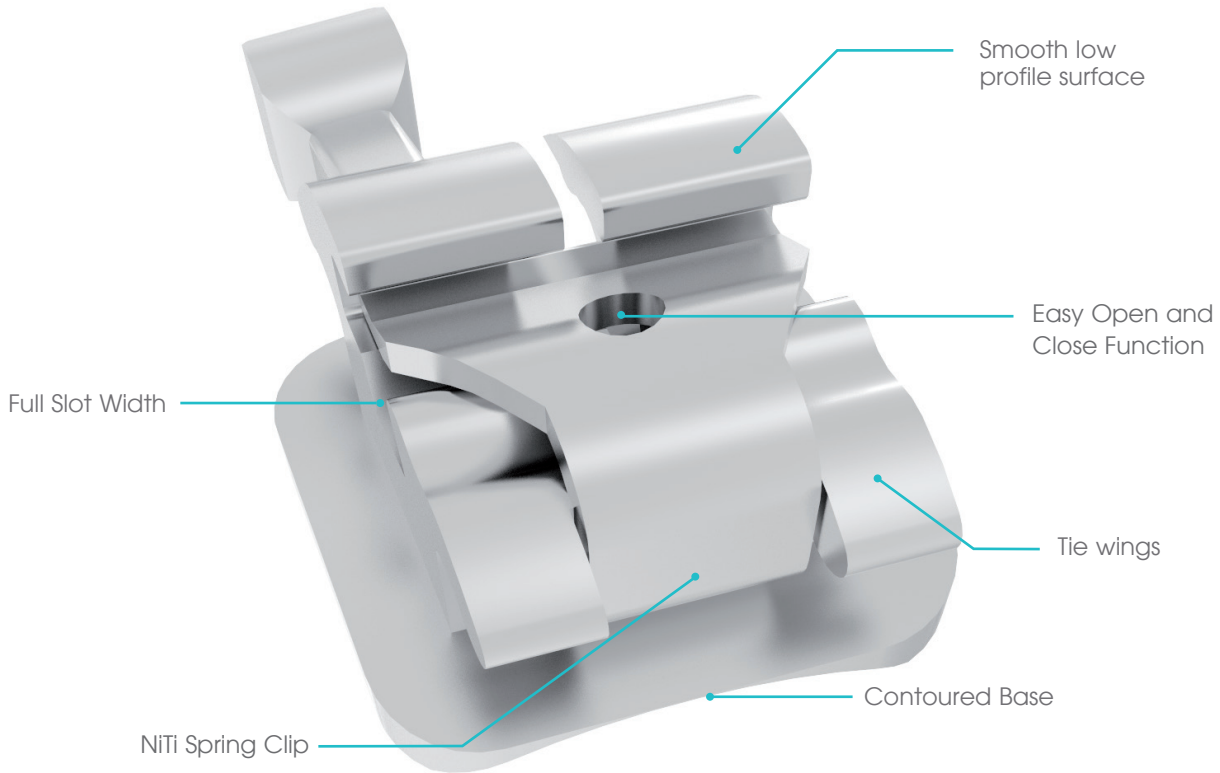


Alpine SL® Brackets

It's all about precision, speed and control with the fully interactive metal Alpine SL® bracket. The Nickel Titanium spring delivers continuous and consistent forces without the risk of deformation during the entire length of treatment.



BRACKET MATERIAL: 17-4PH Stainless Steel
BASE MATERIAL: 316L Stainless Steel, 80-gauge Mesh
PRESCRIPTIONS: Roth, MBT
SLOT SIZE: .022

FEATURES

BENEFITS

NiTi Spring Clip	Shape memory alloy ensures reliable clip operation and control for entire treatment
Easy Open and Close Function	No special tool is required to open; Closes gingivally with slight pressure using figure on the incisal curve or using instrument
Full Slot Width	Clip offers full slot coverage allowing for optimal rotational control
Smooth Low-Profile Surface	Smooth surface finish offers exceptional patient comfort
Tie Wings	Ample undercuts allow for optional ligation with chains and ties
Ink Mark and Palmer Notation	Easy bracket identification
Contoured Base	Anatomical tooth fitment and greater tooth control
80-Gauge Foil Mesh Base	Increased locking action

PRODUCT SHEET

Roth Prescription - Maxillary Brackets

Tooth	Torque	Angulation	Offset	Hook	R/L	.018	.022
Central	12°	5°	0°		R		M12400
	12°	5°	0°		L		M12401
Lateral	8°	9°	0°		R		M12402
	8°	9°	0°		L		M12403
Cuspid	-2°	11°	0°	Distal	R		M12406
	-2°	11°	0°	Distal	L		M12407
Bicuspids	-7°	0°	0°	Distal	R		M12410
	-7°	0°	0°	Distal	L		M12411



Roth Prescription - Mandibular Brackets

Tooth	Torque	Angulation	Offset	Hook	R/L	.018	.022
Central/ Lateral	0°	0°	0°		R/L		M12420
Cuspid	-11°	7°	0°	Distal	R		M12426
	-11°	7°	0°	Distal	L		M12427
1st	-17°	0°	0°	Distal	R		M12430
Bicuspid	-17°	0°	0°	Distal	L		M12431
2nd	-22°	0°	0°	Distal	R		M12434
Bicuspid	-22°	0°	0°	Distal	L		M12435



Roth Preadjusted Straight Wire Prescription - Kit

Description	.018	.022
Roth Alpine SL®, with hook cuspid/bicuspid, 5-5		KM12402



MBT Prescription - Maxillary Brackets

Tooth	Torque	Angulation	Offset	Hook	R/L	.018	.022
Central	17°	4°	0°		R		M12100
	17°	4°	0°		L		M12101
Lateral	10°	8°	0°		R		M12102
	10°	8°	0°		L		M12103
Cuspid	-7°	8°	0°	Distal	R		M12106
	-7°	8°	0°	Distal	L		M12107
Bicuspids	-7°	0°	0°	Distal	R		M12110
	-7°	0°	0°	Distal	L		M12111



MBT Prescription - Mandibular Brackets

Tooth	Torque	Angulation	Offset	Hook	R/L	.018	.022
Central/ Lateral	-6°	0°	0°		R/L		M12120
Cuspid	-6°	3°	0°	Distal	R		M12126
	-6°	3°	0°	Distal	L		M12127
1st	-12°	2°	0°	Distal	R		M12130
Bicuspid	-12°	2°	0°	Distal	L		M12131
2nd	-17°	2°	0°	Distal	R		M12134
Bicuspid	-17°	2°	0°	Distal	L		M12135



MBT Prescription - Kit

Description	.018	.022
MBT Alpine SL®, with hook cuspid/bicuspid, 5-5		KM12102



Bioprogessive Prescription - Maxillary Brackets

Tooth	Torque	Angulation	Hook	R/L	.018
Central	22°	0°		R	M12200
	22°	0°		L	M12201
Lateral	14°	8°		R	M12202
	14°	8°		L	M12203



Bioprogessive Prescription - Max. & Mand. Brackets

Tooth	Torque	Angulation	Hook	R/L	.018
Cuspid	7°	5°	Distal	R/L	M12206
	7°	5°	Distal	L/R	M12207
Bicuspid	0°	0°	Distal	R/L	M12210
	0°	0°	Distal	L/R	M12211



Bioprogessive Prescription - Mandibular Brackets

MN	Torque	Angulation	Hook	R/L	.018
Anteriors	0°	0°		R/L	M12220

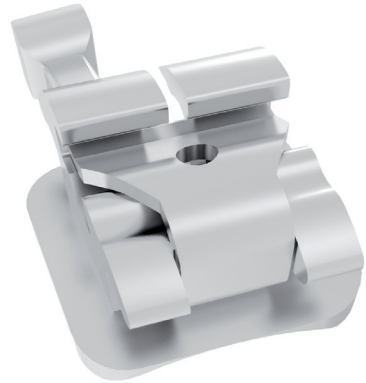


Bioprogessive Prescription - Kit

Description	.018
Single case Bio, with hook cuspid/bicuspid 5-5	KM12202



PRODUCT SHEET



Trimorphic® Bioprogressive® Brachyfacial Prescription - Maxillary Brackets

Tooth	Torque	Angulation	Offset	Hook	R/L	.018
Central	22°	0°	0°		R	M22200
	22°	0°	0°		L	M22201
Lateral	14°	8°	0°		R	M22202
	14°	8°	0°		L	M22203
Cuspid	7°	5°	0°	Yes	R	M22206
	7°	5°	0°	Yes	L	M22207
Bicuspids	0°	0°	0°		R/L	M22208

Trimorphic® Bioprogressive® Brachyfacial Prescription - Mandibular Brackets

Tooth	Torque	Angulation	Offset	Hook	R/L	.018
Central/ Lateral	0°	0°	0°		R/L	M22220
Cuspid	7°	5°	0°	Yes	R	M22207
	7°	5°	0°	Yes	L	M22206
Bicuspids	0°	0°	0°		R/L	M22208

Trimorphic® Bioprogressive® Brachyfacial Prescription - Kit

Description	.018
Brachio-facial with hook on cuspid, 5-5	KM22201

Trimorphic® Bioprogressive® Mesofacial Prescription - Maxillary Brackets

Tooth	Torque	Angulation	Offset	Hook	R/L	.018
Central	17°	4°	0°		R	M22250
	17°	4°	0°		L	M22251
Lateral	10°	8°	0°		R	M22252
	10°	8°	0°		L	M22253
Cuspid	7°	5°	0°	Yes	R	M22206
	7°	5°	0°	Yes	L	M22207
Bicuspids	0°	0°	0°		R/L	M22208



Trimorphic® Bioprogressive® Mesofacial Prescription - Mandibular Brackets

Tooth	Torque	Angulation	Offset	Hook	R/L	.018
Central/ Lateral	0°	0°	0°		R/L	M22220
Cuspid	7°	5°	0°	Yes	R	M22207
	7°	5°	0°	Yes	L	M22206
Bicuspids	0°	0°	0°		R/L	M22208

Trimorphic® Bioprogressive® Mesofacial Prescription - Kit

Description	.018
Meso-facial with hook on cuspid, 5-5	KM22251

PRODUCT SHEET

**Trimorphic® Bioprogressive® Dolichofacial Prescription
Maxillary Brackets**

Tooth	Torque	Angulation	Offset	Hook	R/L	.018
Central	12°	5°	0°		R	M22260
	12°	5°	0°		L	M22261
Lateral	8°	9°	0°		R	M22262
	8°	9°	0°		L	M22263
Cuspid	7°	5°	0°	Yes	R	M22206
	7°	5°	0°	Yes	L	M22207
Bicuspid	0°	0°	0°		R/L	M22208



**Trimorphic® Bioprogressive® Dolichofacial Prescription
Mandibular Brackets**

Tooth	Torque	Angulation	Offset	Hook	R/L	.018
Central/ Lateral	0°	0°	0°		R/L	M22220
Cuspid	7°	5°	0°	Yes	R	M22207
	7°	5°	0°	Yes	L	M22206
Bicuspid	0°	0°	0°		R/L	M22208

Trimorphic® Bioprogressive® Dolichofacial Prescription - Kit

Description	.018
Dolicho-facial with hook on cuspid, 5-5	KM22261

